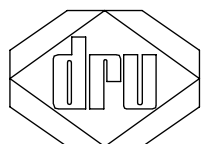
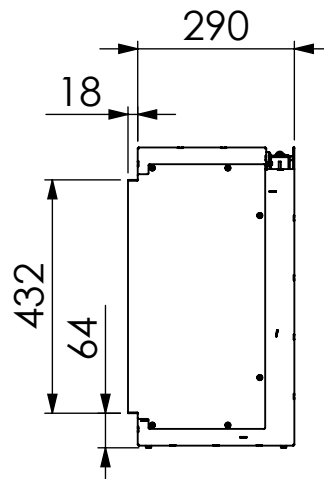
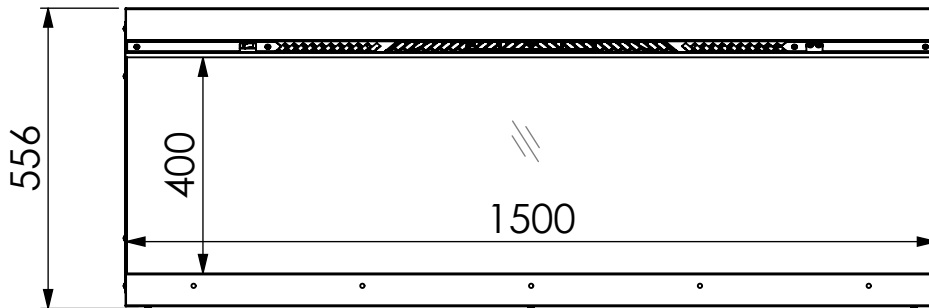
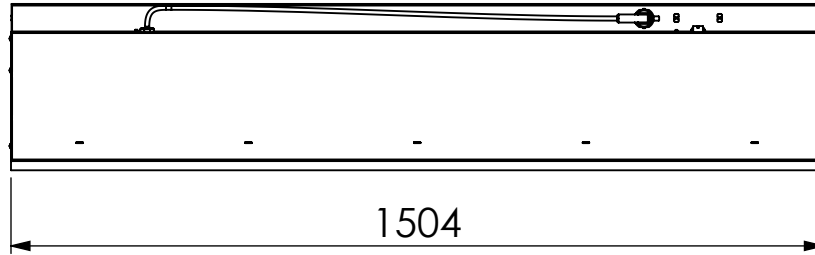
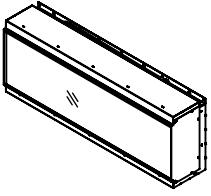
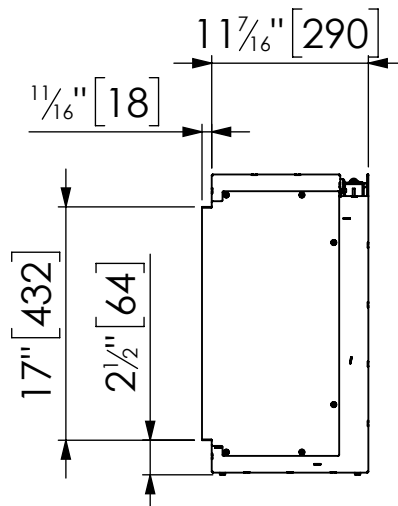
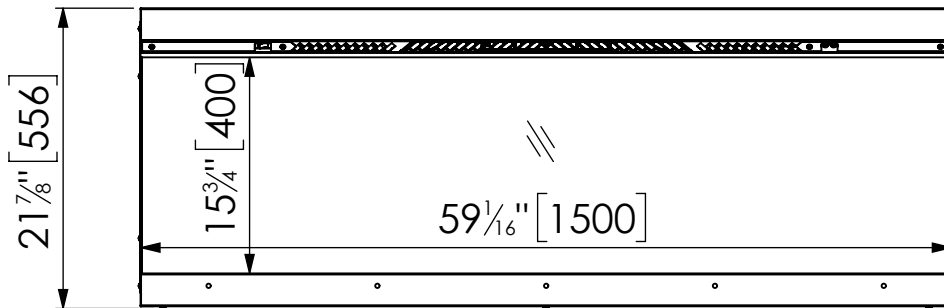
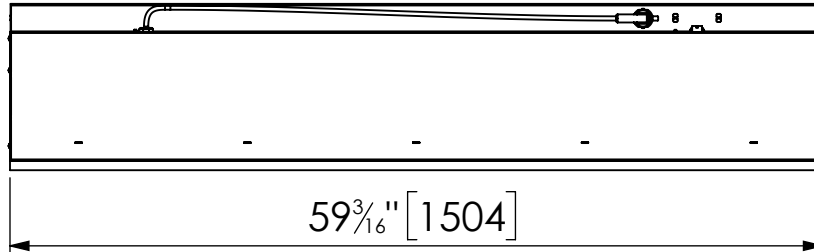
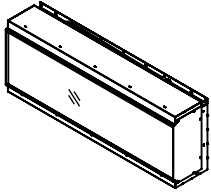


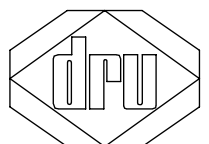
Valo 150



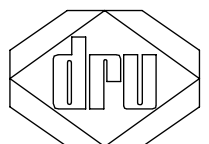
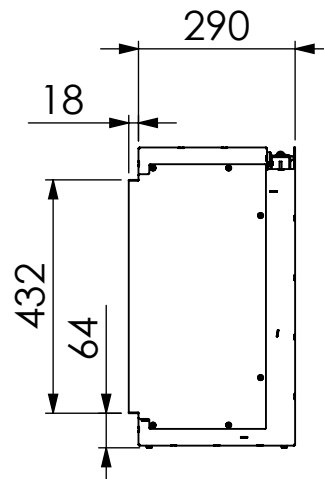
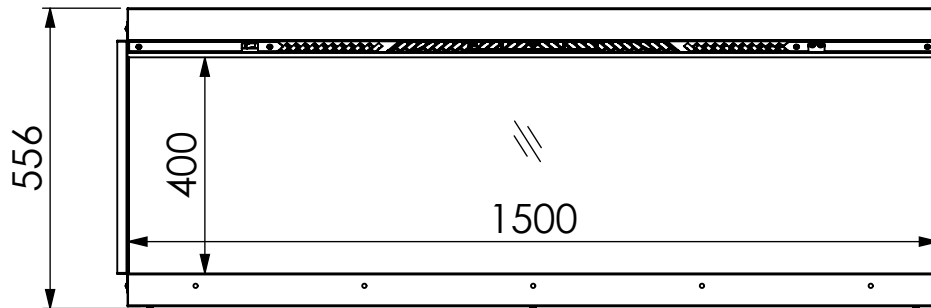
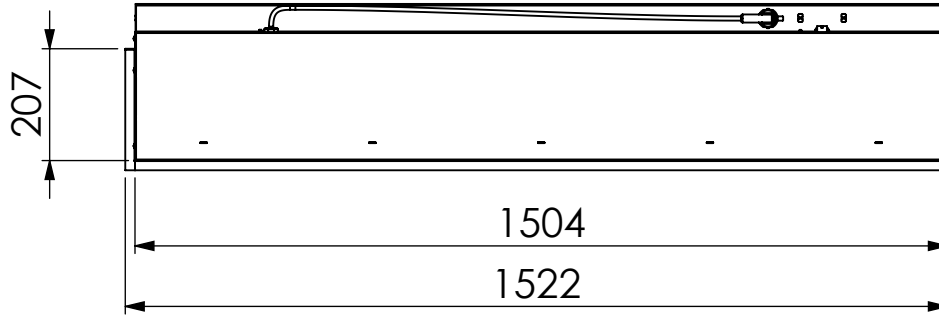
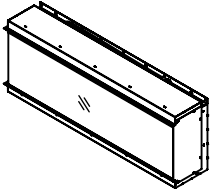
Valo 150



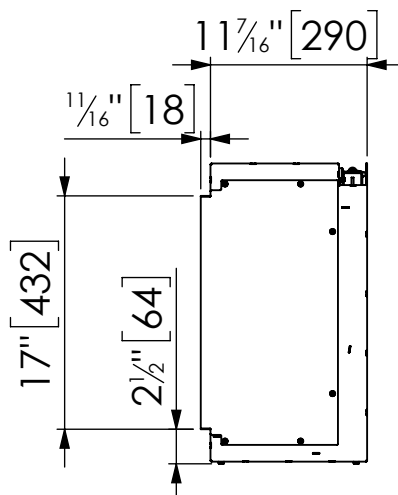
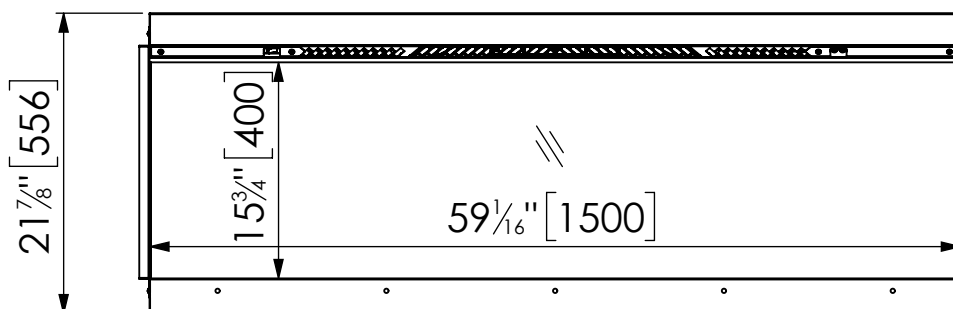
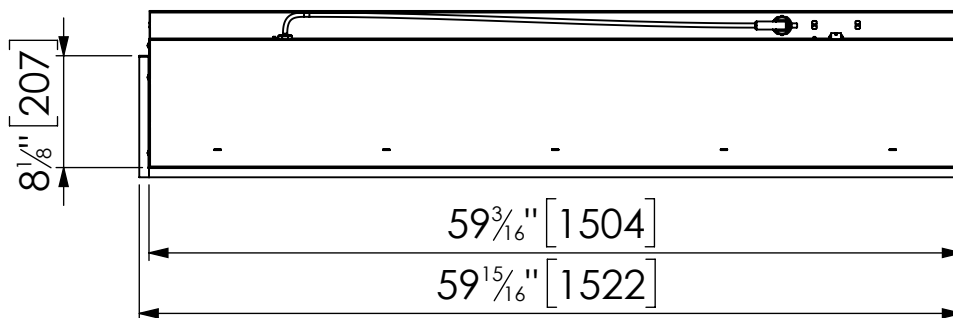
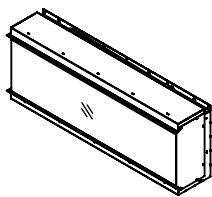
dim" = inch
[dim] = mm



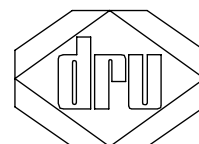
Valo 150/2 Left



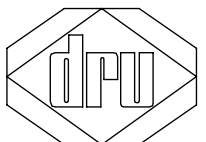
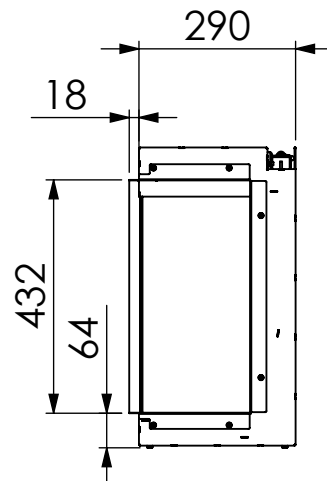
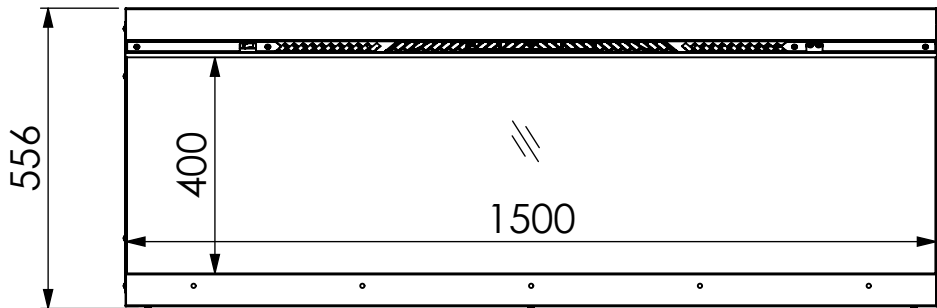
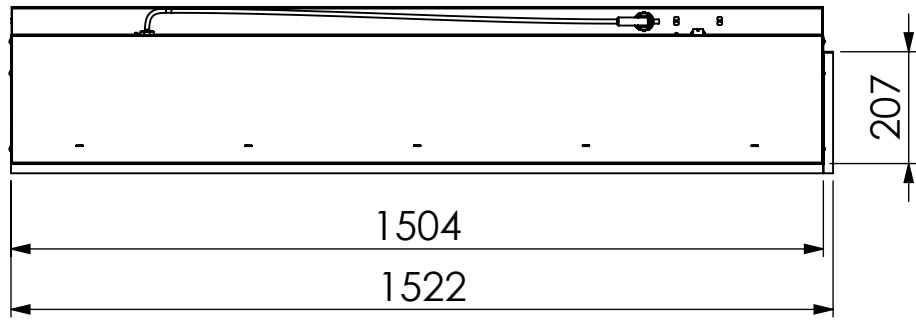
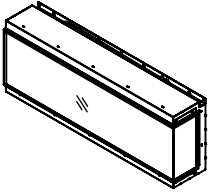
Valo 150/2 Left



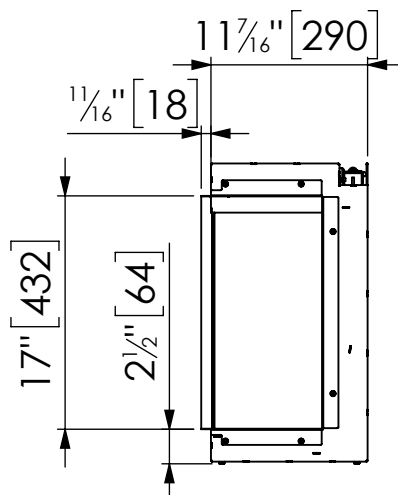
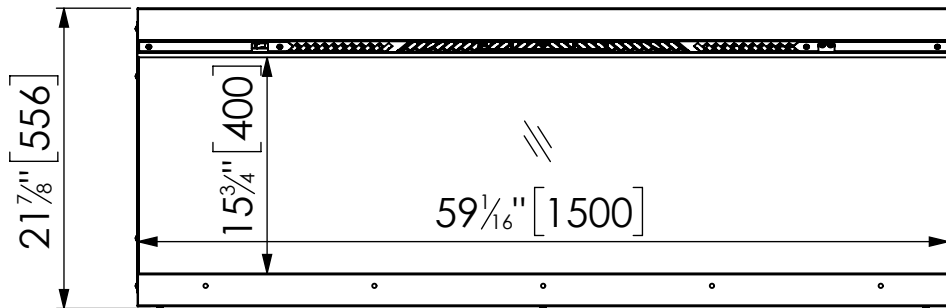
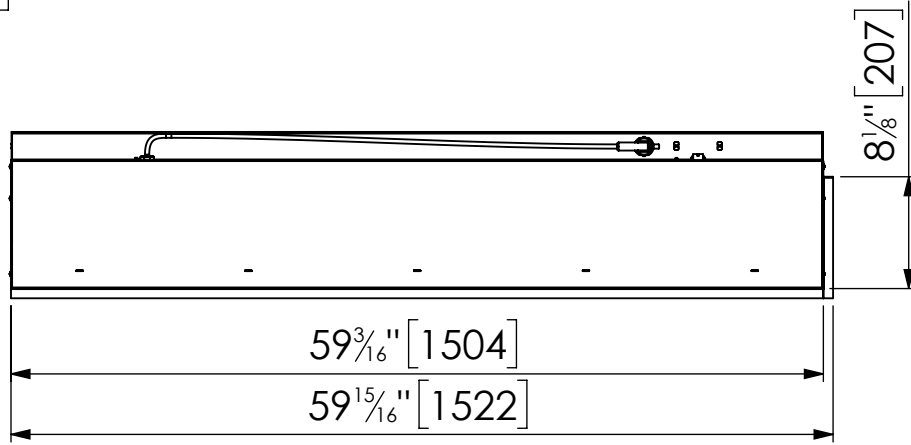
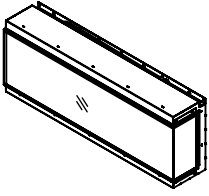
dim" = inch
[dim] = mm



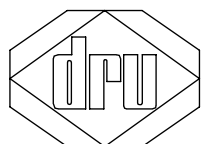
Valo 150/2 Right



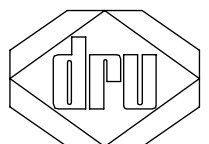
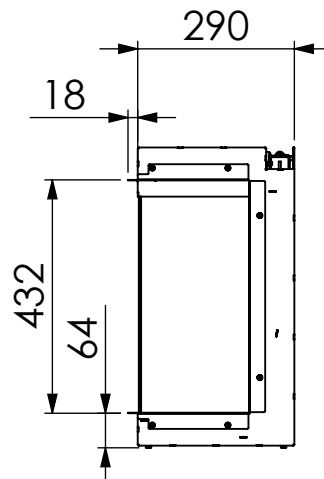
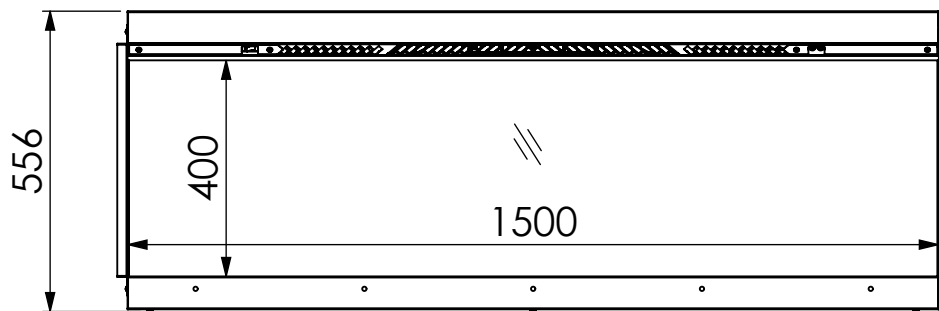
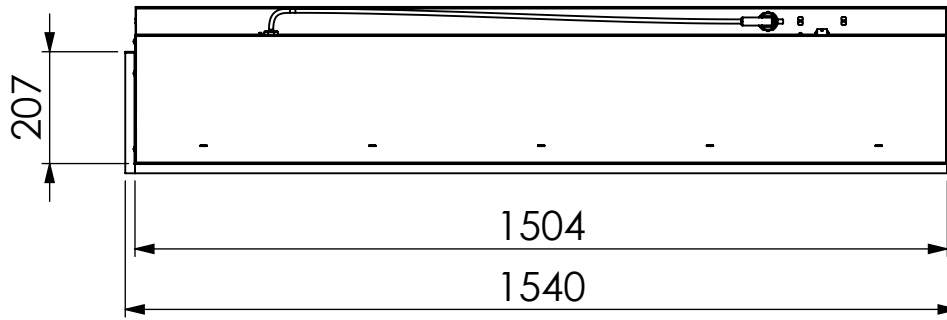
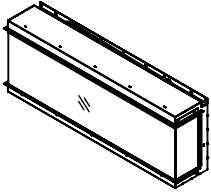
Valo 150/2 Right



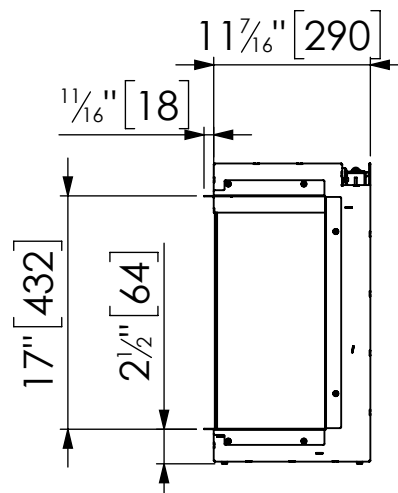
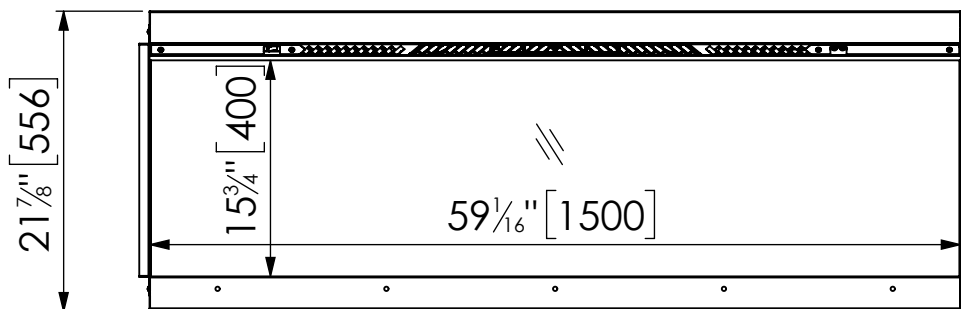
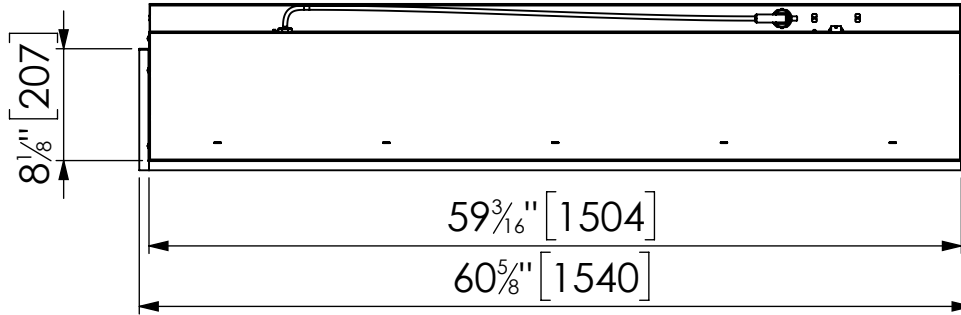
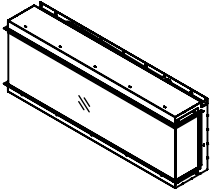
dim" = inch
[dim] = mm



Valo 150/3



Valo 150/3



dim" = inch
[dim] = mm

